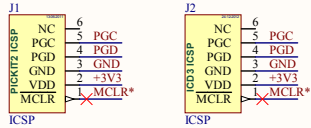
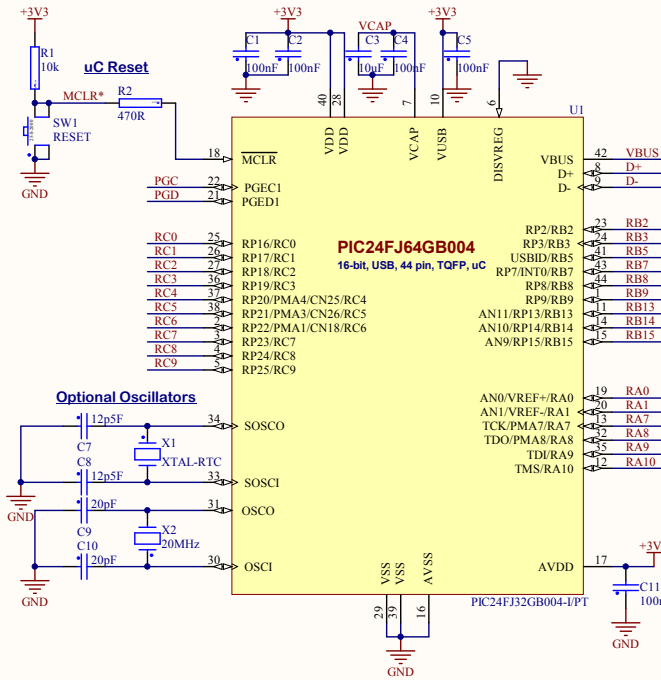


- MT1 MT2
- MT-PT6MM-3.3 MT-PT6MM-3.3
- MT3 MT4
- MT-PT6MM-3.3 MT-PT6MM-3.3

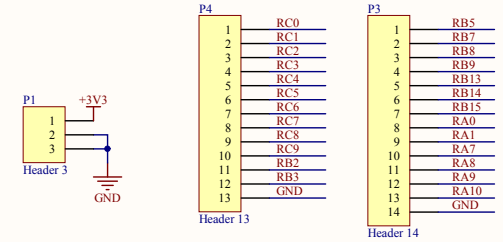
ICSP Headers



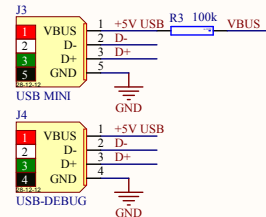
PIC24 - 16-bit USB uC



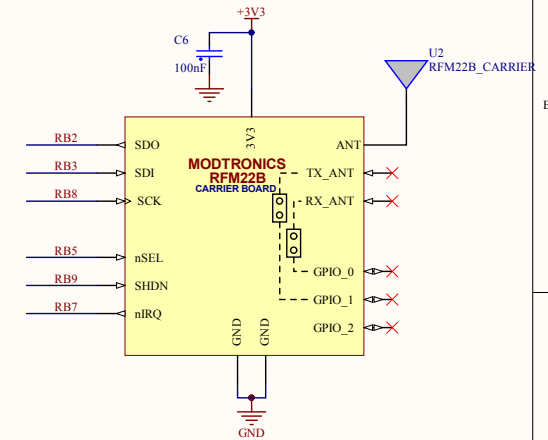
IO Headers



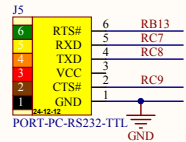
USB Connector



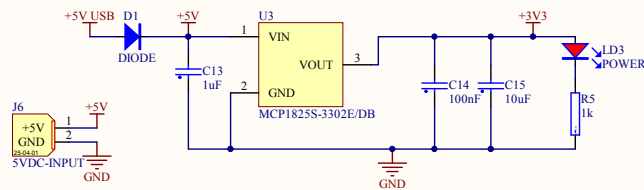
Optional RFM22B Carrier



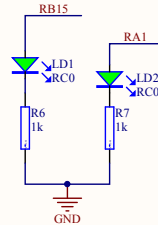
UART Connector



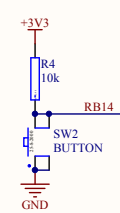
Power Supply



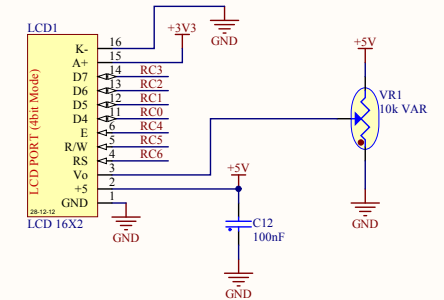
Optional LEDs



Optional Button



Optional 8/16x2 LCD



Title		
Size	Number	Revision
A3		
Date:	22/04/2013	Sheet of
File:	D:\Craigs Documents\PIC24 Development\boards\board2_SchDoc	