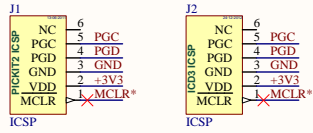
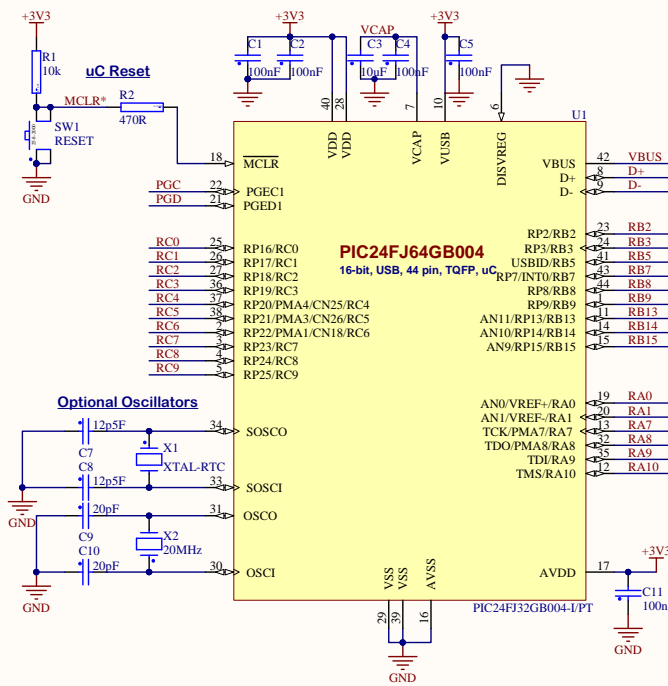


# nanoTRONICS32 - PIC32 (32-bit) USB Microcontroller Development Board

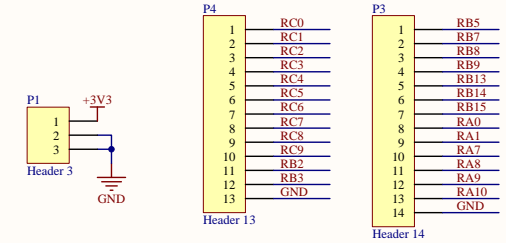
## ICSP Headers



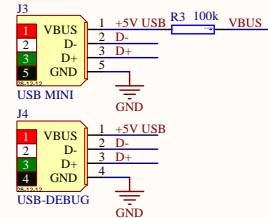
## PIC32 - 32-bit USB uC



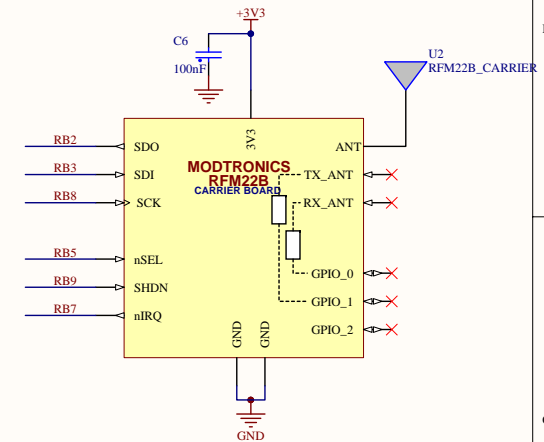
## IO Headers



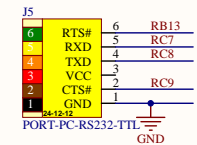
## USB Connector



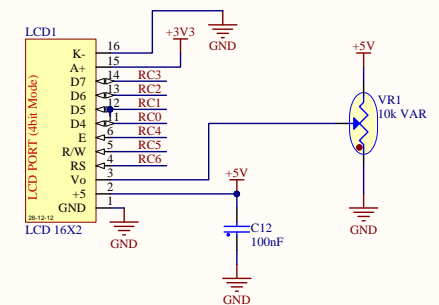
## Optional RFM22B / RFM12B RFM69HW Carrier



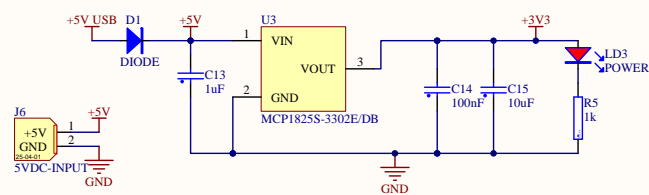
## UART Connector



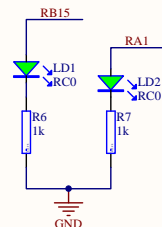
## Optional 8/16x2 LCD



## Power Supply



## Optional LEADS



## Optional Button

